



SPHERICAL ROLLER THRUST BEARING WITH STEEL CAGE: EX1 - SERIES 29400

Since 1994, the EM brass cage has been a standard for the Rollway® spherical roller thrust bearings. Rollway bearings are renowned for their extended brass cage bearing range.

Through the years, many gearboxes have been upgraded to handle higher power input without a change in the bearing size. The consequence was that bearings were operating closer to their limits.

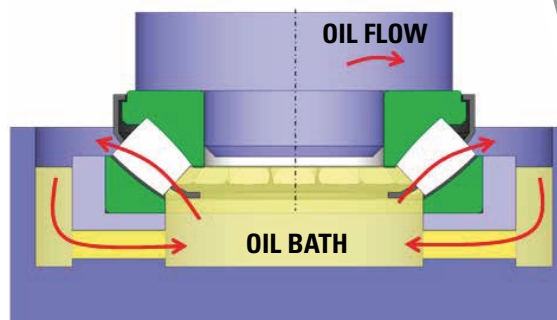
Therefore, Regal has introduced a new Rollway spherical roller thrust bearing type: the EX1 steel cage with improved performance. This EX1 steel cage allows substantial higher load ratings and improved oil flow through the bearing, which results in lower internal temperature and longer service life.

The EX1 steel cage is available for the 29400 series from 29412EX1 to 29452 EX1.

Above size 52, the cage will remain brass (EM).

The boundary dimensions are unchanged compared with the brass cage, except that the cone height which is reduced compared to the brass cage (EM).

It is recommended to check the cone surrounding parts. In some cases, a spacer ring could be added.

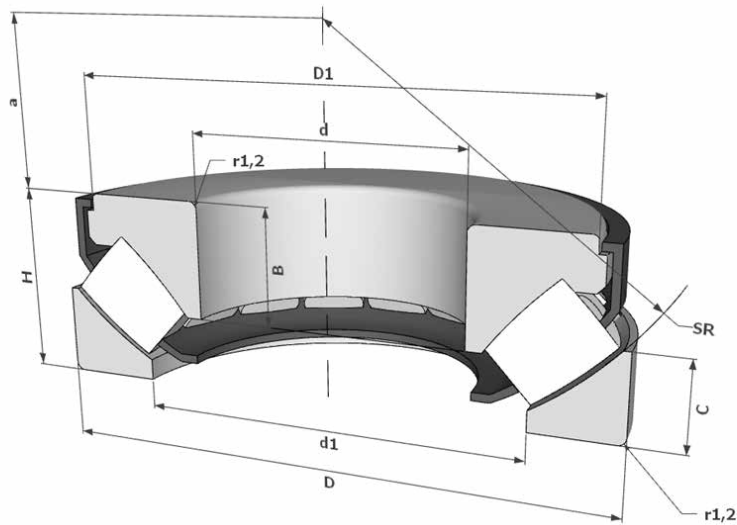


IMPROVED OIL FLOW

BENEFITS OF THE STEEL CAGE:

- Higher dynamic and static load rating regarding the brass cage (EM)
- Enhanced oil flow
- Lower internal temperature
- Longer oil cycle life
- Range: from 29412 EX1 to 29452 EX1
- P6 precision class
- Improved surface roughness
- Use of higher steel grade
- Lubrication with oil only

DATA TABLE ROLLWAY® SPHERICAL ROLLER THRUST BEARING WITH EX1 STEEL CAGE



BEARING		PRINCIPAL DIMENSIONS			BASIC LOAD RATINGS		SPEED RATINGS	WEIGHT (kg)	RADIUS	ADDITIONAL DIMENSION					
TYPE	Cage	BORE	OUTER	WIDTH	DYNAMIC	STATIC	OIL		(mm)	(mm)					
		(mm)	(mm)	(mm)	(KN)	(KN)	(RPM)								
		d	D	H	Cr	Co	no	G	r _{smin}	d1	D1	B	C	a	Sr
29412	EX1	60	130	42	390,0	1090	2600	2,52	1,5	85,5	112	27	21	38	85,7
29414	EX1	70	150	48	520,0	1250	2200	4,13	2	99	129	31	23,8	44,8	99,7
29415	EX1	75	160	51	600,0	1430	2200	4,56	2	105,5	137	33,5	24,5	47	106,0
29416	EX1	80	170	54	670,0	1630	2000	5,5	2,1	112,5	146	35	26,5	50	112,5
29418	EX1	90	190	60	815,0	2000	1900	7,56	2,1	128	164	39	28,5	56	126,5
29420	EX1	100	210	67	970,0	2910	1700	10,8	3	141,5	186	43	32,2	62	141,0
29422	EX1	110	230	73	1180	3000	1600	13,4	3	223,5	199	47	34,7	69	154,5
29424	EX1	120	250	78	1370	3450	1300	16,65	4	171	216	50,5	36,5	74	167,4
29430	EX1	150	300	90	1740	5220	1100	27,7	4	207,5	262	58	43,4	92	201,0
29432	EX1	160	320	95	2080	5600	1000	32,7	5	223,5	279	60,5	45,5	99	214,8
29434	EX1	170	340	103	2360	6550	950	40,0	5	236	297	65,5	50	104	227,7
29438	EX1	190	380	115	2850	8000	850	56,6	5	264,5	332	73	55,5	117	255,0
29452	EX1	260	480	132	4050	12900	670	97,8	6	346	427,9	86	63	154	323,7

ROLLWAY®

Regal Beloit Belgium nv

Heiveldekens 16

2550 Kontich, Belgium

Call: +32 (0)3 457 68 70

Fax: +32 (0)3 457 51 38

Europe@regalbeloit.com

www.regalbeloit.com



APPLICATION CONSIDERATIONS

The proper selection and application of power transmission products and components, including the related area of product safety, is the responsibility of the customer. Operating and performance requirements and potential associated issues will vary appreciably depending upon the use and application of such products and components. The scope of the technical and application information included in this publication is necessarily limited. Unusual operating environments and conditions, lubrication requirements, loading supports, and other factors can materially affect the application and operating results of the products and components and the customer should carefully review its requirements. Any technical advice or review furnished by Regal Beloit America, Inc. and/or its affiliates ("Regal") with respect to the use of products and components is given in good faith and without charge, and Regal assumes no obligation or liability for the advice given, or results obtained, all such advice and review being given and accepted at customer's risk.

For a copy of our Standard Terms and Conditions of Sale, please visit <http://www.regalbeloit.com> (please see link at bottom of page to "Standard Terms and Conditions of Sale"). These terms and conditions of sale, disclaimers and limitations of liability apply to any person who may buy, acquire or use a Regal product referred to herein, including any person who buys from a licensed distributor of these branded products.

Regal and Rollway are trademarks of Regal Beloit Corporation or one of its affiliated companies.

©2018 Regal Beloit Corporation, All Rights Reserved. MCSSP18080E • Form# 10254E

